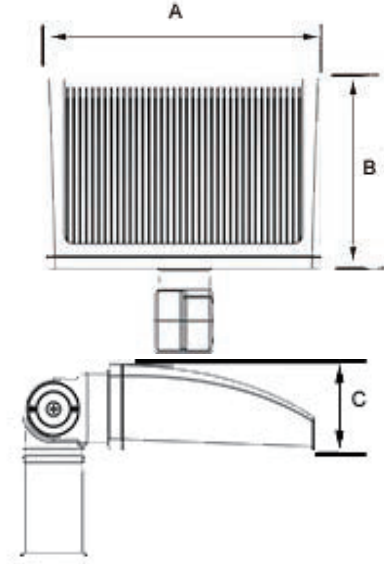


LED Flood light B Series

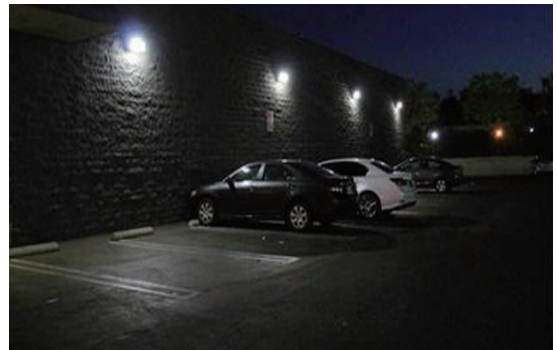


Features

- High power factor >0.98, low THD driver.
- High shock and vibration resistant.
- Die casting aluminum house, excellent thermal control.
- Dimmable: 1-10VDC/PWM/Resistor(3 IN 1).
- Power Supply Efficiency: >90%.
- Multiple configurations deliver high efficiency lighting for various outdoor lighting applications.
- Replaces up to 400W MH.
- IP65.

Applications

- Ideal for area lighting, packing lots, wall pack, security etc.



| Item No. | Size (AxBxC) | Power | Voltage | Color | Power Factor | Luminous Flux | CRI | Lifespan |
|----------|-----------------------------------|-------|------------|----------------------------|--------------|---------------|-----|----------|
| V-FL01B | 280x266x127mm 11.02"x10.47"x5" | 80W | AC100-277V | 3000K/4000K 5000K/5700K | 0.99 | 8,500lm | ≥70 | 50,000 |
| V-FL02B | 280x266x127mm 11.02"x10.47"x5" | 100W | AC100-277V | 3000K/4000K 5000K/5700K | 0.99 | 10,000lm | ≥70 | 50,000 |
| V-FL03B | 432x308x127mm 17.01"x12.13"x5" | 120W | AC100-277V | 3000K/4000K 5000K/5700K | 0.99 | 12,000lm | ≥70 | 50,000 |
| V-FL04B | 432x308x127mm 17.01"x12.13"x5" | 150W | AC100-277V | 3000K/4000K 5000K/5700K | 0.99 | 16,000lm | ≥70 | 50,000 |